



SOBY.COM
TRUSTED SINCE 1961



SØBY

SS102-127-152

Grain cannon

With drive at the inlet end and large filling hopper, SØBY grain cannon is particularly well-suited for conveying grain to or from grain wagons and trucks. The low center of gravity ensures that the grain cannon is easy to manoeuvre.



Grain cannon

Hot-dip galvanised grain cannon with inlet hopper and wheels at the inlet.

Scope of application

The SØBY grain cannon is used just like ordinary screw augers with an inlet hopper for angled conveying of grain and ground bulk material. The location of the motor at the inlet end of the auger makes it easier to manoeuvre the grain cannon from one location to another.

Basic machine

- Grain cannon base with wheels, V-belt drive, motor bracket, inlet regulation and outlet
- Motor
- Large hopper with grating
- Extension sections in: 1-2-2.5-3-4 and 6 m with sleeve joints
- SS102 = 102 mm tube
- SS127 = 127 mm tube
- SS152 = 152 mm tube

Grain cannons are available in lengths of up to 10 m

Accessories:

Mobile stand that is adapted to the entire area of application of the grain cannon.

Capacity:

At an angle of 45°:

- SS102 = 10 tonnes/hour
- SS127 = 18 tonnes/hour
- SS152 = 28 tonnes/hour

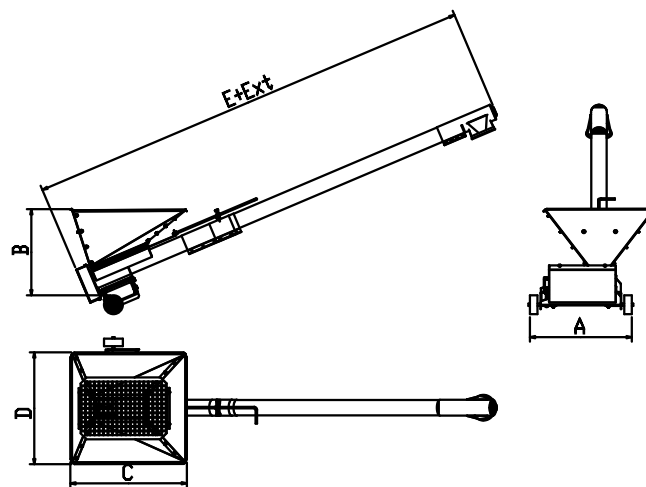
At an angle of 30°:

- SS102 = 11.5 tonnes/hour
- SS127 = 21 tonnes/hour
- SS152 = 32 tonnes/hour

See dimension sketch below

All dimensions in mm	A	B	C	D	E
SS102*	650	670	770	730	930+Ext.
SS127*	650	690	770	730	950+Ext.
SS152**	810	780	770	730	980+ Ext.

*Outlet OK160 or Ø150
**Outlet Ø200



SOBY TRUSTED
SINCE 1961

Viborgvej 306 · DK-7840 Højslev
(+45) 97 53 50 33 · soby@soby.com
www.soby.com