



SOBY.COM
TRUSTED SINCE 1961



SØBY

TLR Aeration fans

SØBY aeration fans are particularly well-suited to aeration and cooling of grain and various seed crops, as well as being ideal at locations where a mobile fan is required.

TLR aeration fans are manufactured in versions from 1.5 kW up to 15 kW.

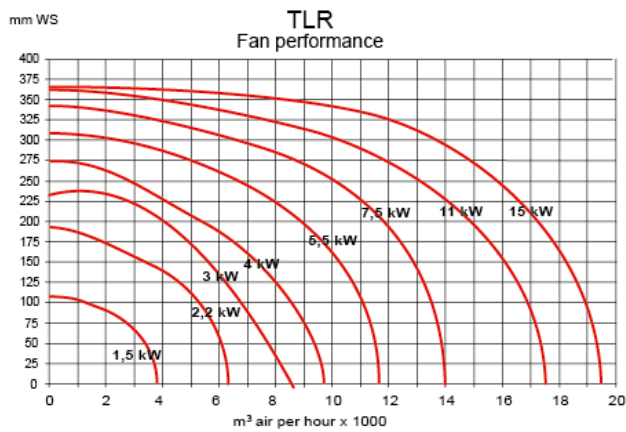


TLR Aeration fans

SØBY TLR aeration fans are used for aeration and cooling of grain and other agricultural crops. The TLR fan operates at high pressure, which makes it suitable for aeration through high layers of grain.

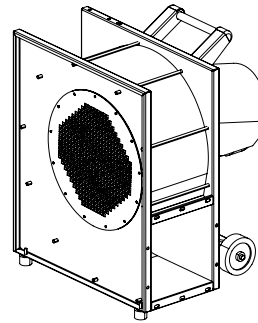
TLR Specifications

TLR 1.5 kW to 7.5 kW are delivered with handle and wheels as standard. TLR 11 kW to 15 kW can be delivered with swivel wheels Ø125 as extra equipment.

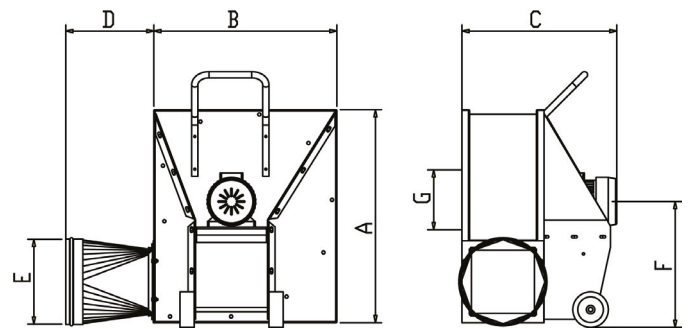


Accessories:

- Fan hoses with hose clips from Ø150 to Ø500
- Motor protection device with CE socket 1.5 kW to 3.0 kW
- Motor protection device with CE socket and star-delta starter (YD) 4.0 kW to 15.0 kW



Fans are also available with air intake on the left side.



Type	kW	HK	A	B	C	D	E	F	G
TLR	1,5	2,0	615	555	410	180	150/200	330	170
TLR	2,2	3,0	765	645	545	230	300	448	210
TLR	3,0	4,0	765	645	545	230	300	448	210
TLR	4,0	5,5	765	645	605	275	300/400	448	285
TLR	5,5	7,5	935	735	695	275	300/400	560	285
TLR	7,5	10,0	935	735	750	310	300/400	560	285
TLR	11,0	15,0	1044	850	826	350	500	645	400
TLR	15,0	20,0	1044	850	875	350	500	645	400

SOBY TRUSTED SINCE 1961

Viborgvej 306 · DK-7840 Højslev
 (+45) 97 53 50 33 · soby@soby.com
 www.soby.com